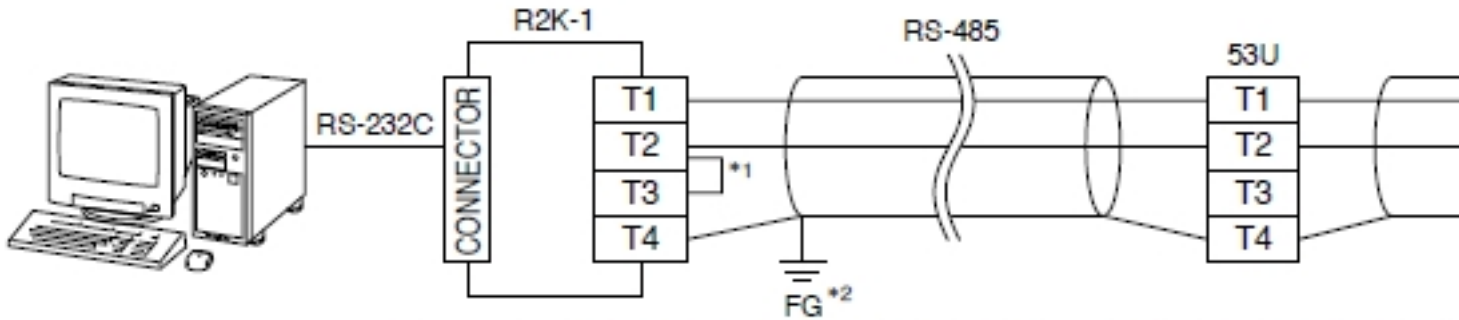


1

Ground loop RS485 Multi-drop
Ground Earth 1 Ground
Reference
Ground - Earth 1 Ground Earth
Earth Ground
Ground loop RS485
RS-485 Multi-drop Converter Isolate

Power Supply

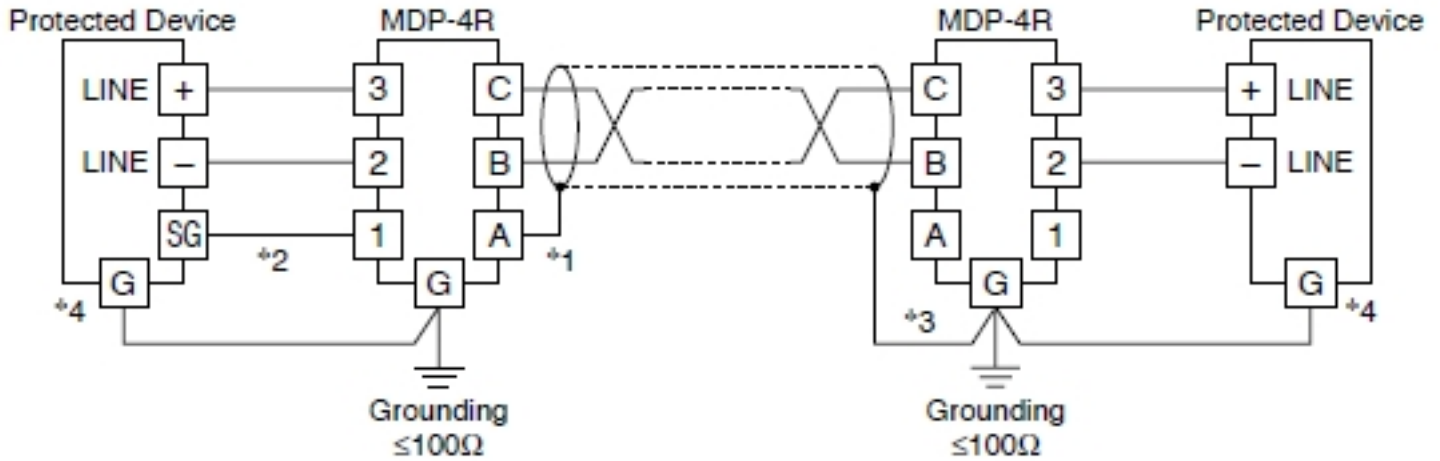
Power Line Signal Line Reference ground
 Ground Earth Ground
 Loop RS-485 Multidrop
 Ground-Earth 2



*1. Internal terminating resistor is used when the device is at the end of a transmission
 *2. Install shield cables to all sections and ground them at single point.

2

Isolator Ground Ground Loop 3



- *1. Leave Terminal **A** when the shielded twisted-pair cable is not provided.
- *2. Leave Terminal **1** when the protected device has no **SG** (Signal Ground) terminal.
- *3. Cross wire to the surge protector's **G** terminal when grounding the shield wire.
- *4. Cross-over wire between **G** terminals of the surge protector and the protected device is required.
Ground only the surge protector if the protected device has no **G** terminal.

Download Surge Protection Ground Loop Surge RS485 422 Signal Surge RSG165nd
 สอบถาม/ขอราคา