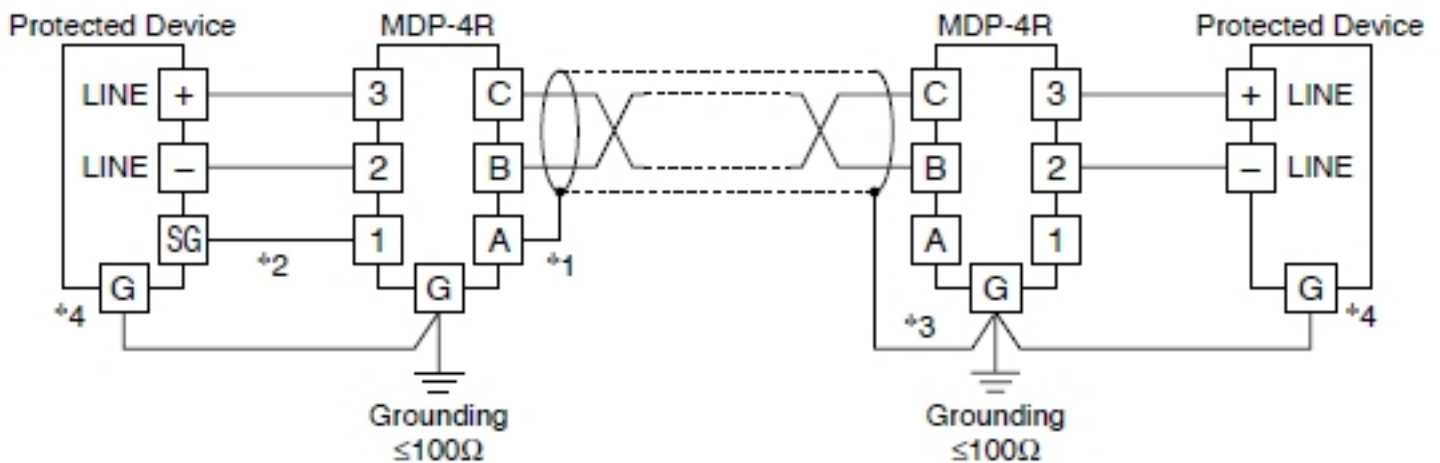


RS485 RS422 Surge
 Surge
 Surge
 RS485/422 Surge
 RS485/RS422
 RS485/422

M-System MDP-4R MD74R Surge Protector

RS485/RS422
 Surge 5000A 20,000A 8/20 micro sec
 DIN Rail MD74R Ultra-Slim 7 mm
 <= 4 nanosec



- *1. Leave Terminal **A** when the shielded twisted-pair cable is not provided.
- *2. Leave Terminal **1** when the protected device has no **SG** (Signal Ground) terminal.
- *3. Cross wire to the surge protector's **G** terminal when grounding the shield wire.
- *4. Cross-over wire between **G** terminals of the surge protector and the protected device is required. Ground only the surge protector if the protected device has no **G** terminal.

Surge
MDW2A-4R

Surge Protector RS485/422 Life Monitor
MDW2A-4R

Full duplex (RS485 4-Wire)
MDW5-4R

[MD-74R](#) | [MDP-4R](#) | [MDW2A-4R](#) | [MDW5-4R](#)