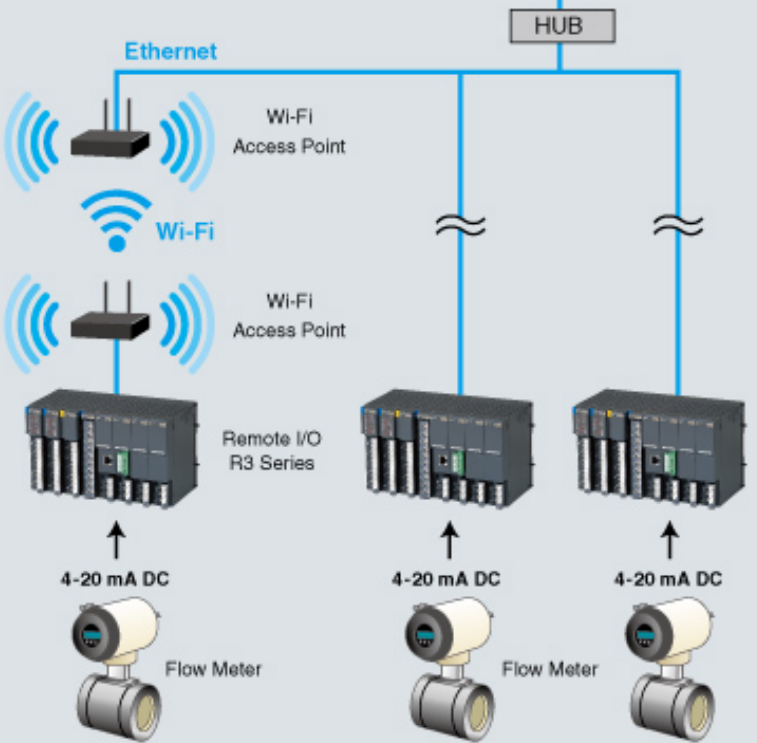
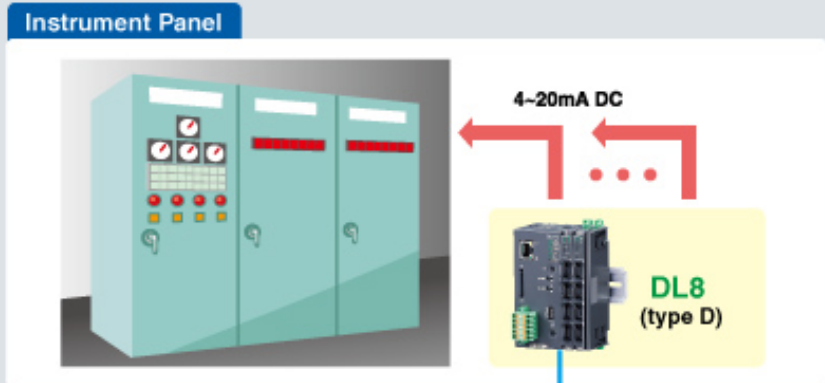


Flow rate DL8 Flow rate Remote IO(R3) Instrument Panel SCADA



- What's the focus?**
- System configuration can be made economically and easily with LAN cables and a hub already familiar to customers.
 - Using Wi-Fi wireless communication, running costs can be minimized.
 - By using the input card of Remote I/O R3 Series for the 2-wire transmitters, signal conditioners are no longer required.
 - DL8 units can be connected up to 12 Remote I/O units and easily expanded.

