

Boiler

Placeholder text consisting of multiple rows of empty boxes.

PID Controller SC100/200 Ratio with Cross-Limiting Override Control

1. Main Steam Pressure Control Loop

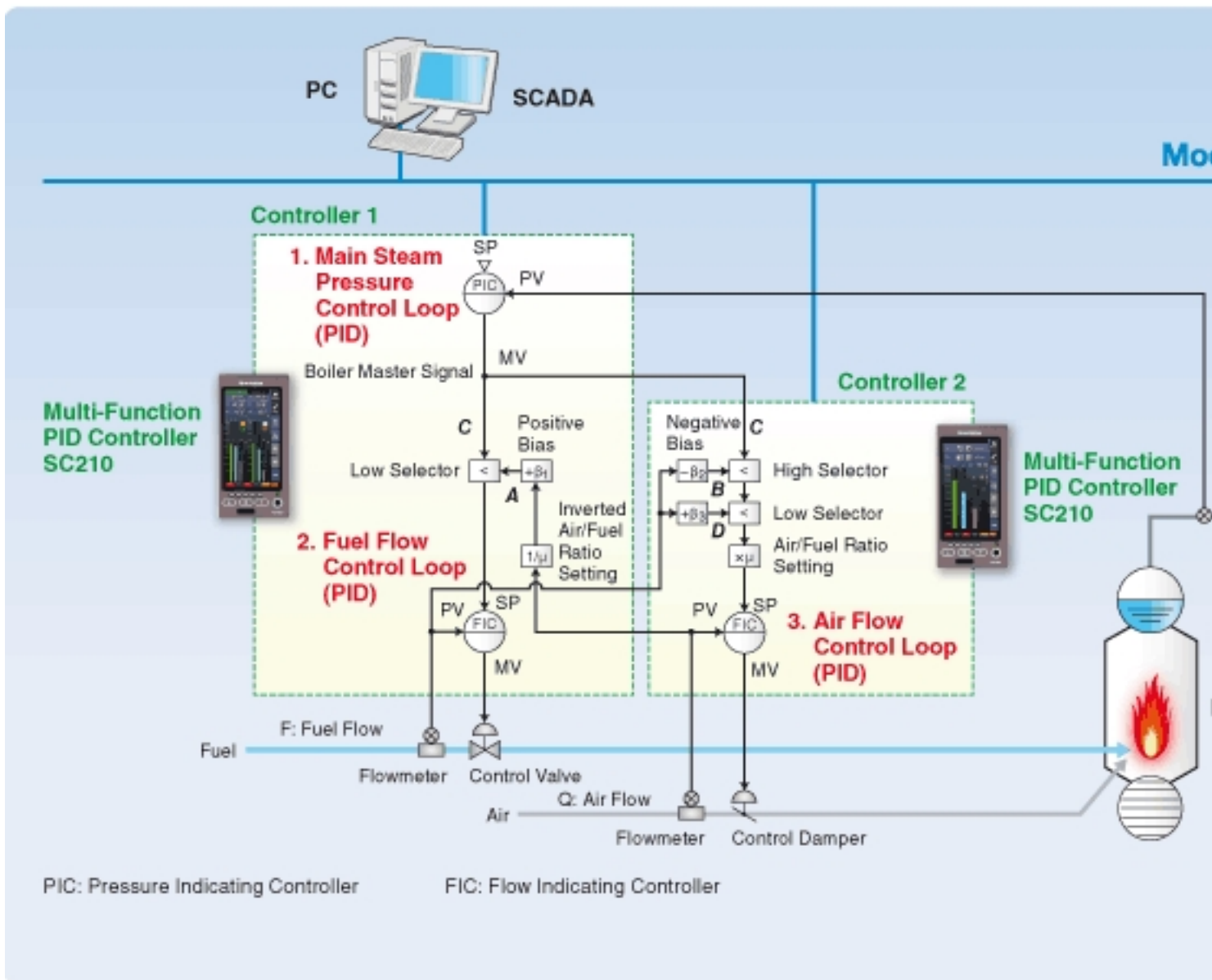
PID control (P) MV 'Boiler Master'

2. Fuel Flow Control Loop

boiler master Setpoint (SP) PID ( fuel flow) cross-limiting SP

### 3. Air Flow Control Loop

boiler master preset air/fuel ratio SP PID air flow cross-limiting SP air flow Burner



SC100/200 signal selecting, addition/subtraction, multiplication/division PID control

Modbus/TCP communication SCADA / PID Control

- **Specification Sheet** 